

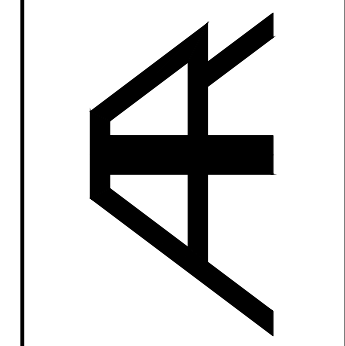
| REVISIONS | BY |
|-----------|----|
| 3/1/20 | AH |

HEN19036AD_2

HENDERSON RESIDENCE
3315 OLD PLANTATION WAY
BLOUNT COUNTY TN

CONSTRUCTION
DETAILS

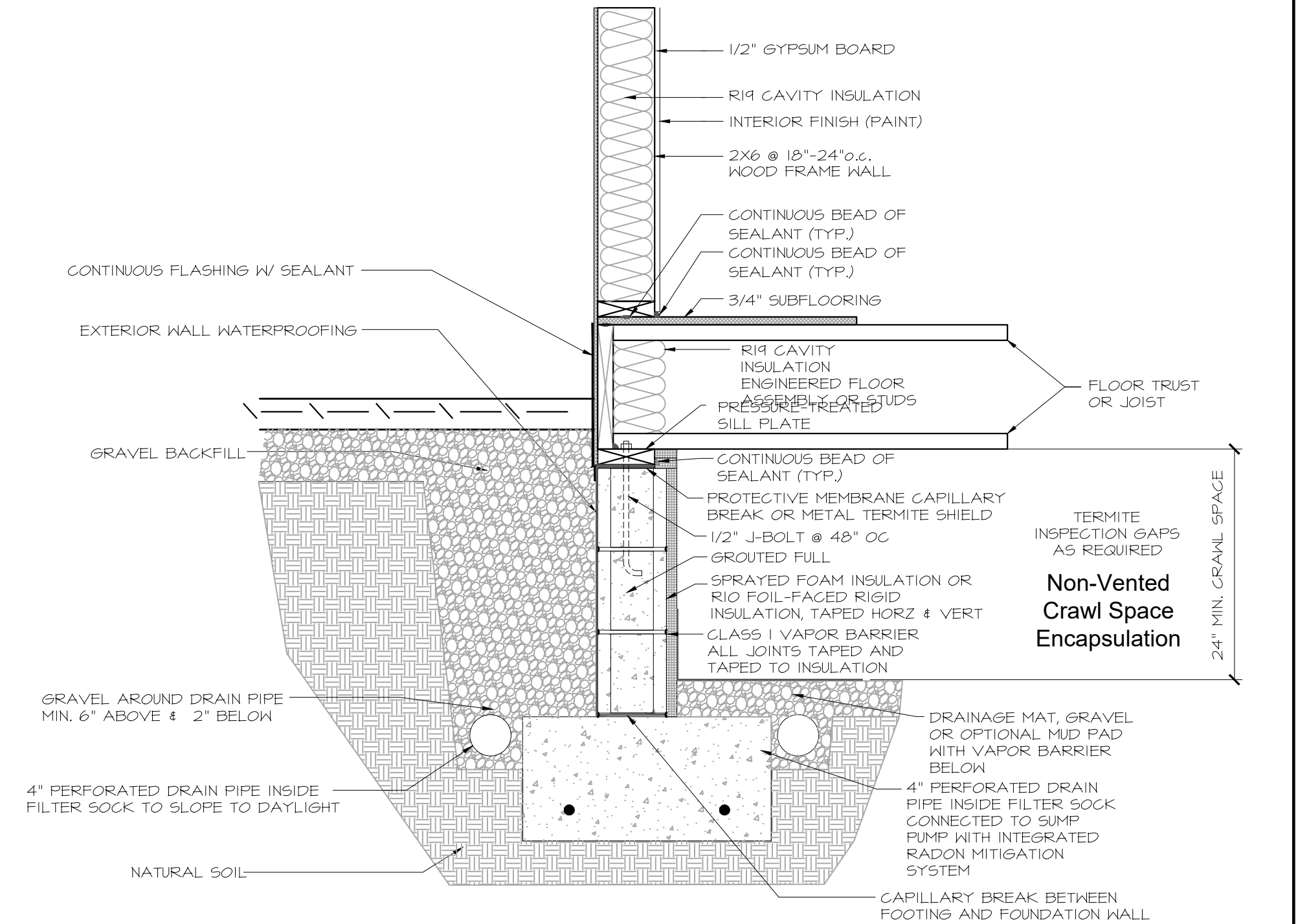
A&R
DESIGN & DRAFTING
SERVICE
320 GREENVIEW CIRCLE
LENOIR CITY TENNESSEE 37112
(615)-598-0512 RIDJETTE@A&RMAIL.COM



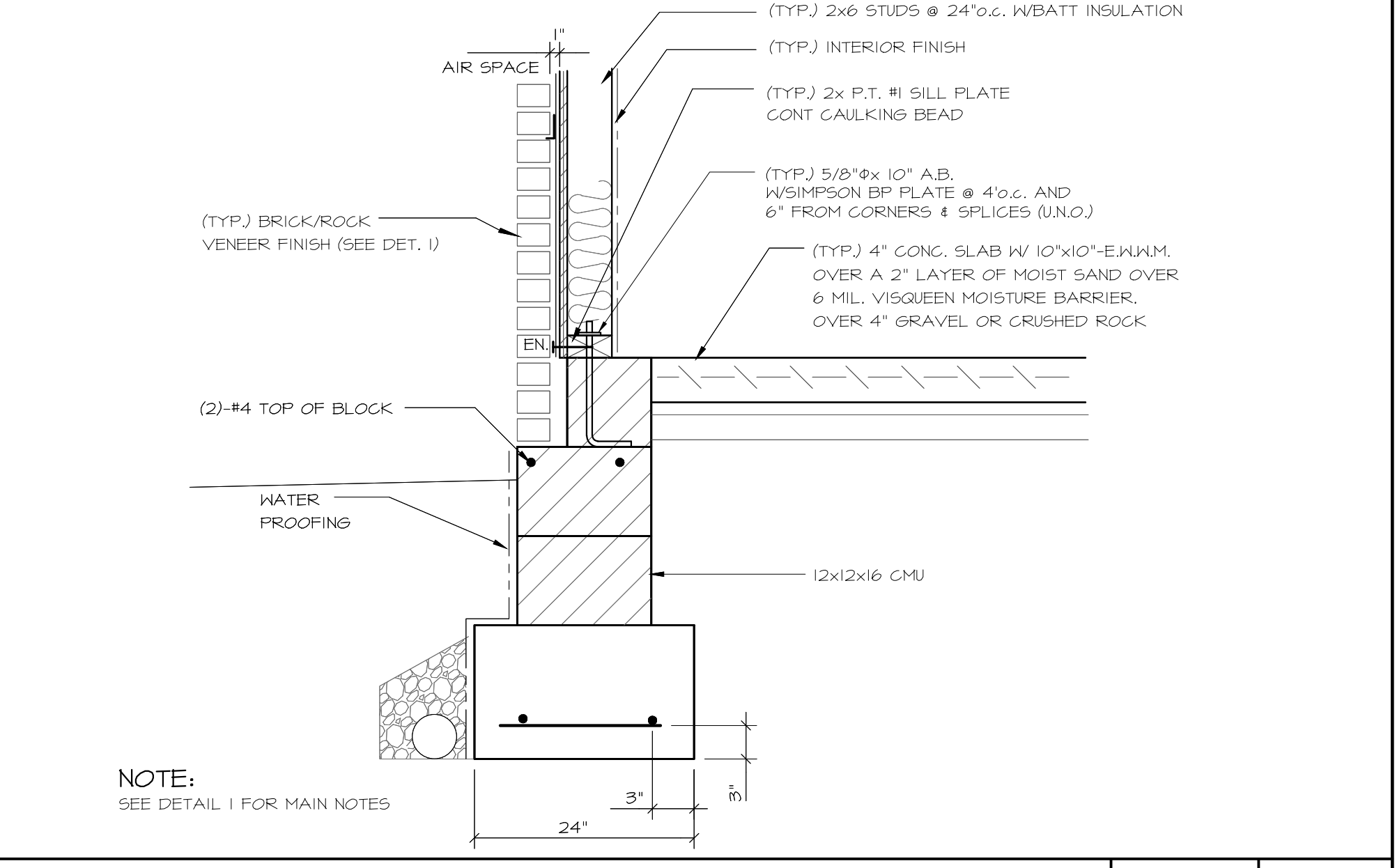
| | |
|-------|----------|
| DATE | 9/10/19 |
| SCALE | N.T.S. |
| DRAWN | AH/RJ |
| JOB | HEN19036 |
| SHEET | AD-1 |

OF SHEETS

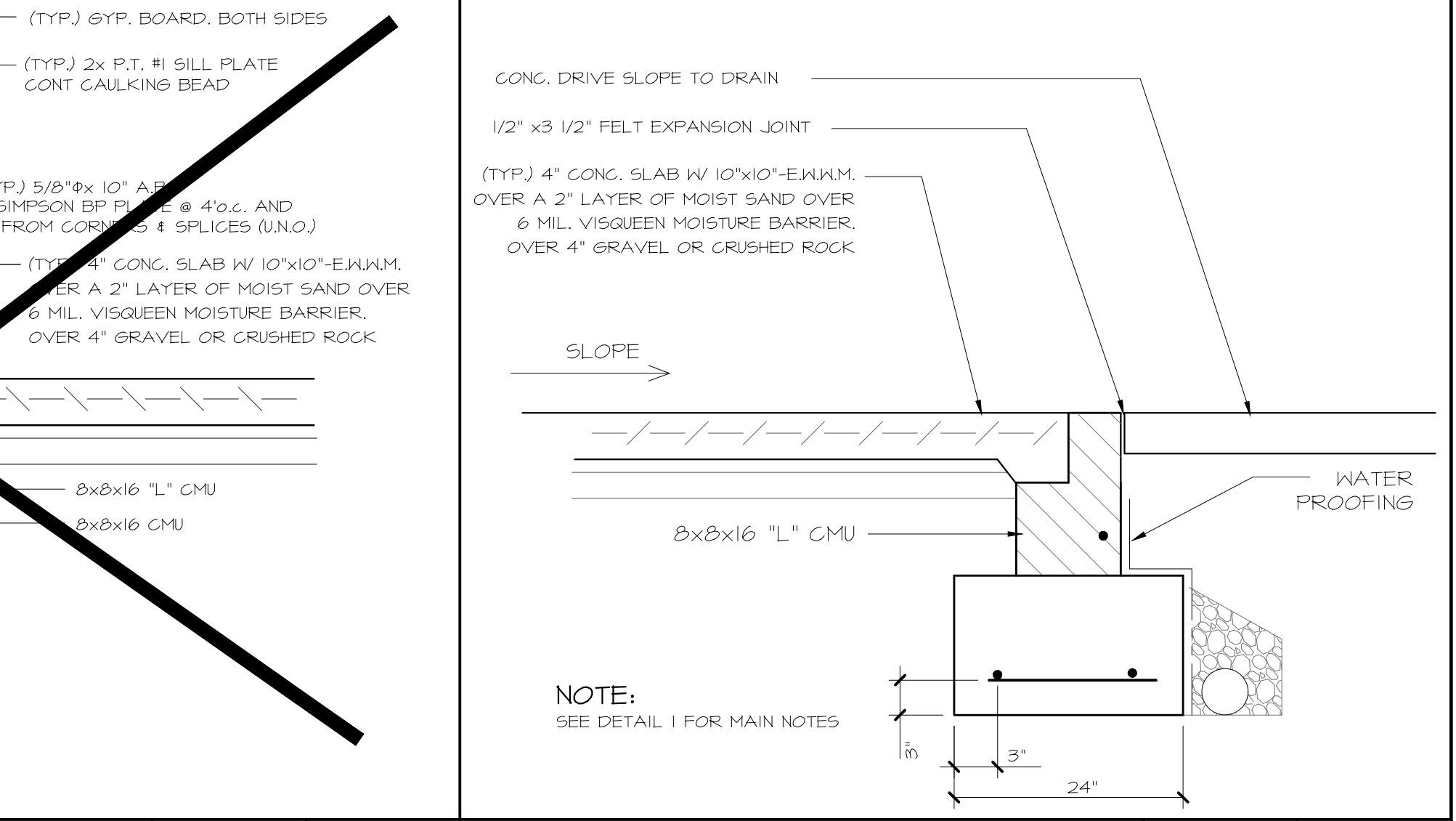
NOTE -
NOT ALL DETAILS USED ON THIS PROJECT
SEE CONTRACTOR FOR MORE INFORMATION



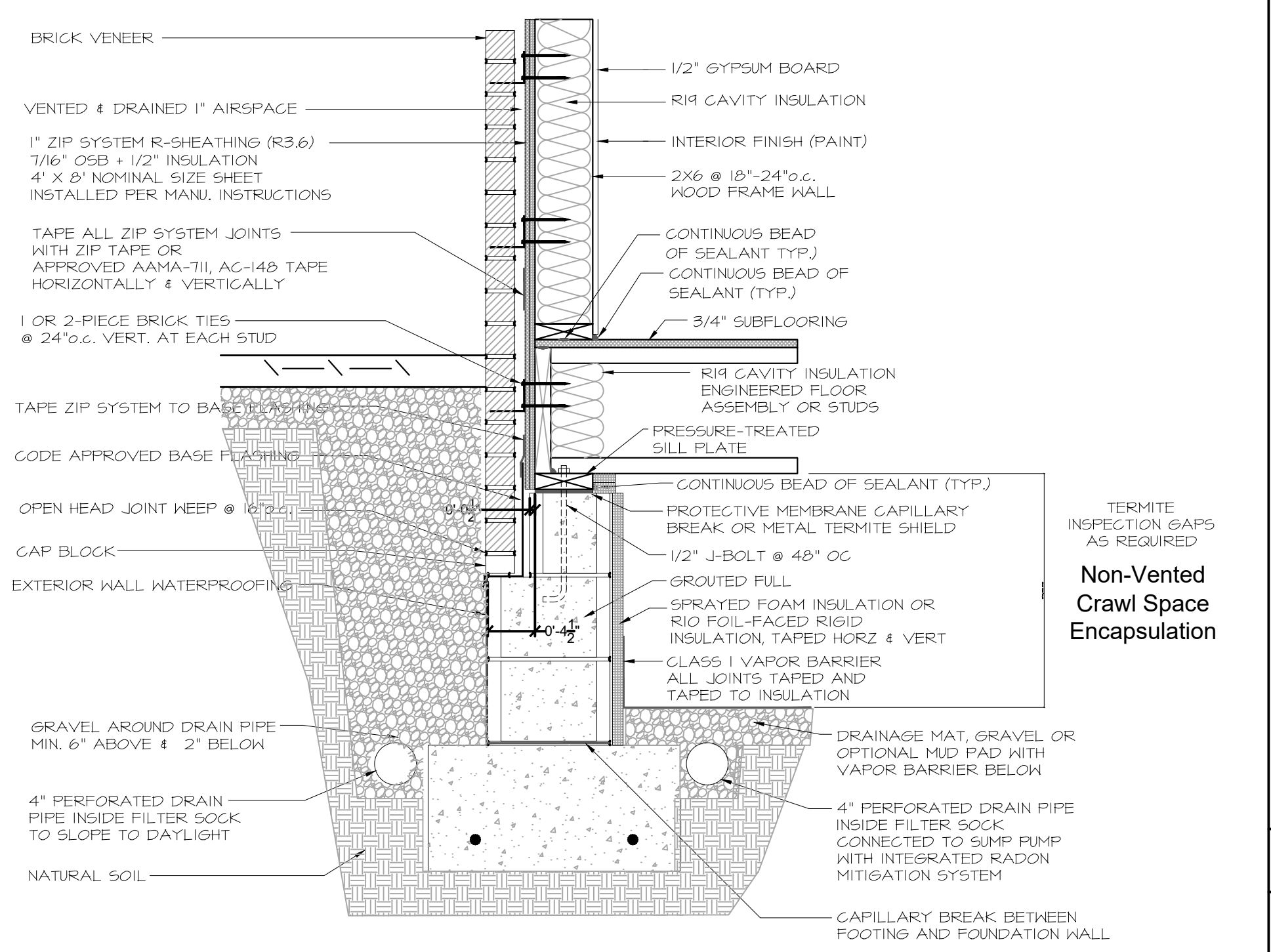
FOOTING HOUSE/GARAGE SCALE: N.T.S. 3



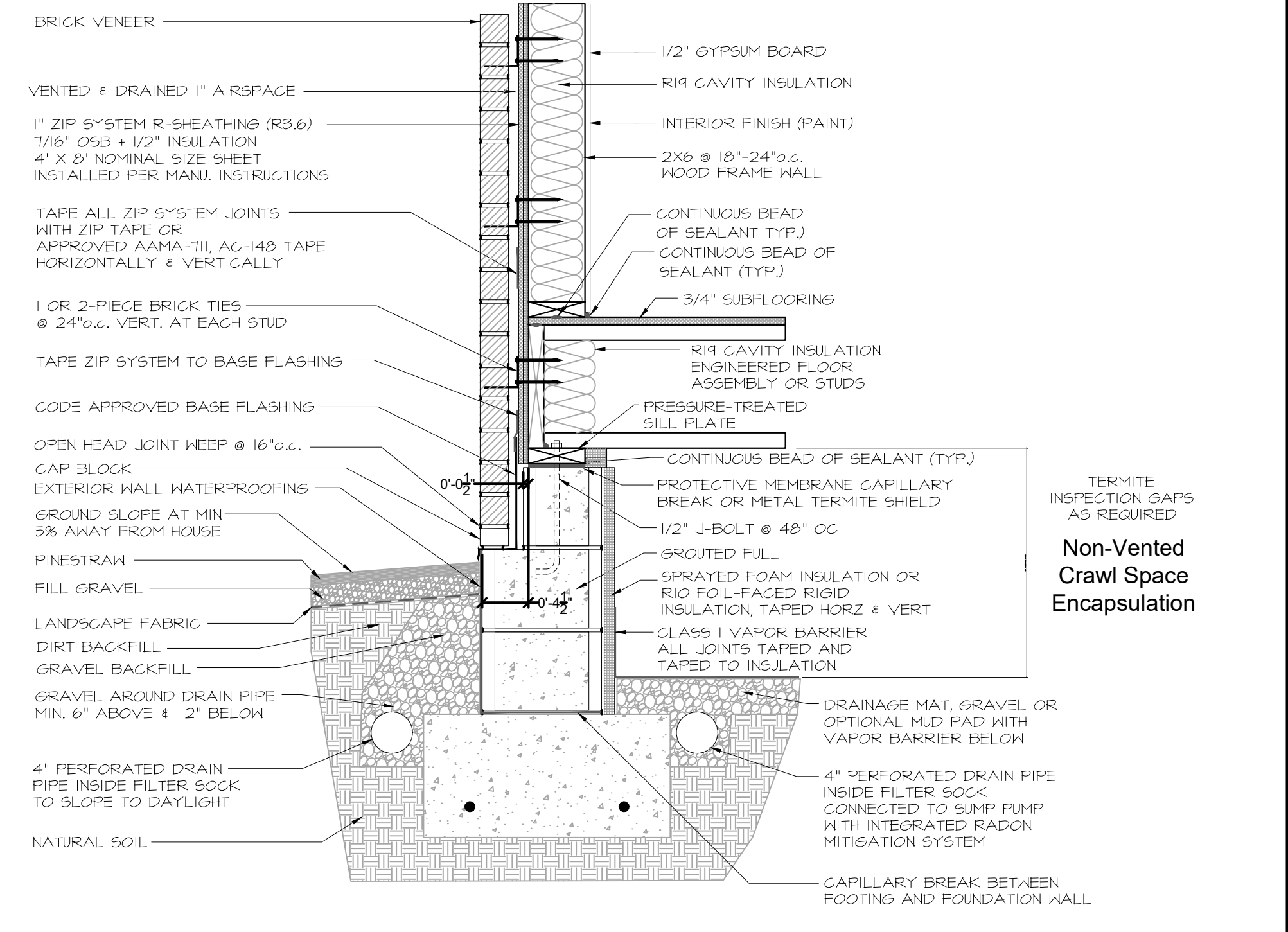
PERIMETER FOOTING GARAGE SCALE: N.T.S. 6



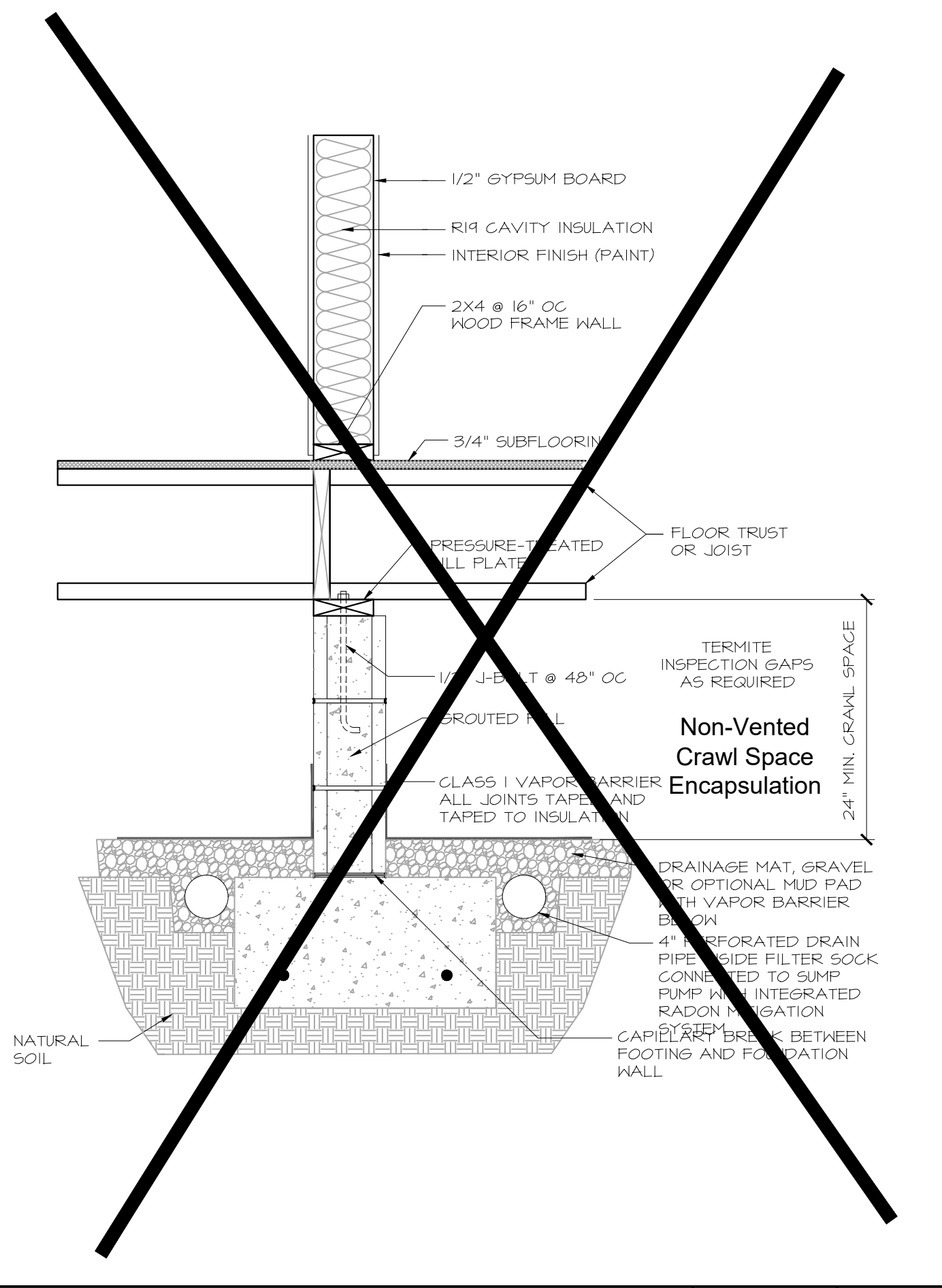
PERIMETER FOOTING GARAGE DOOR SCALE: N.T.S. 8



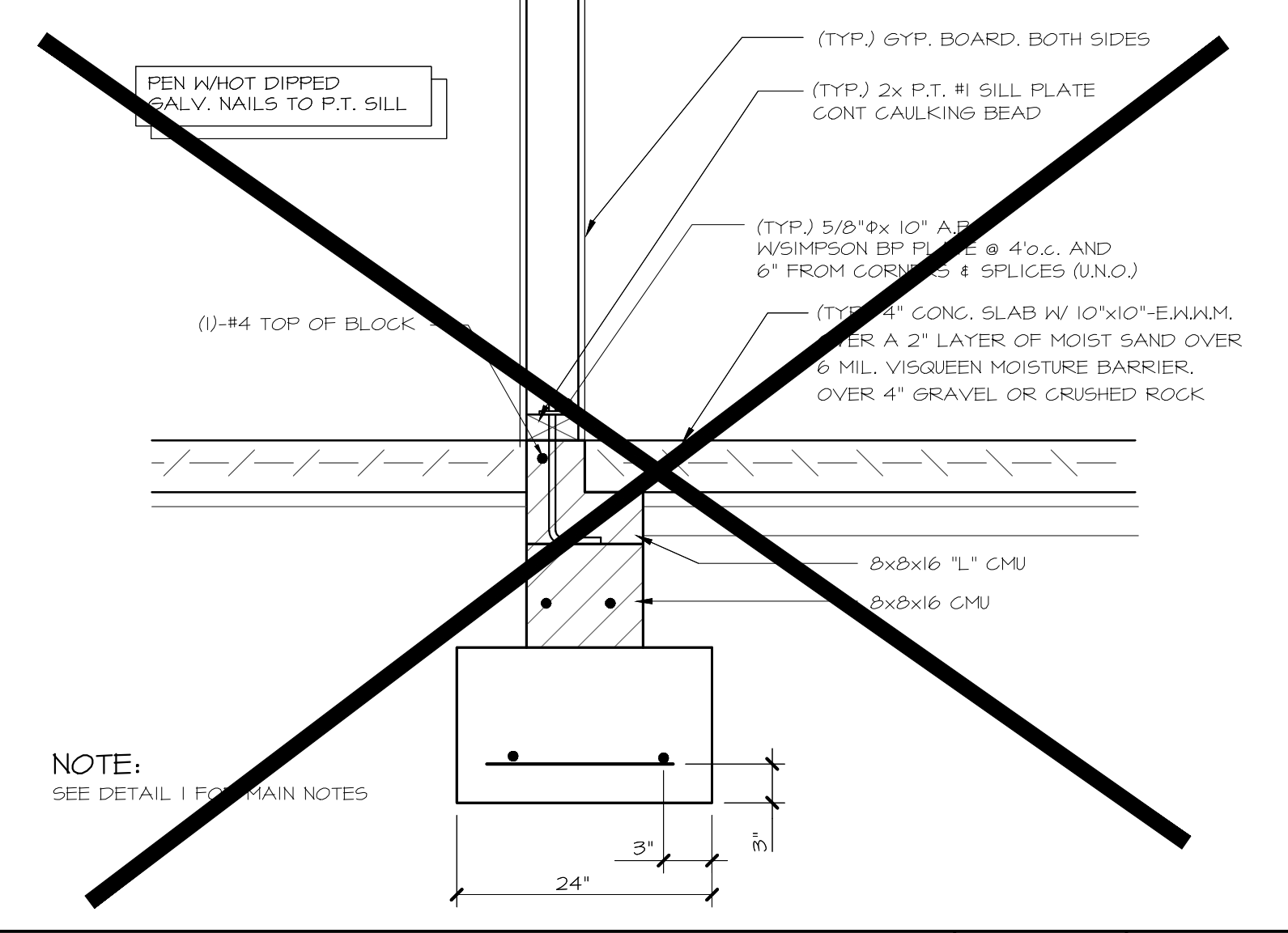
PERIMETER FOOTING HOUSE PATIO SCALE: N.T.S. 2



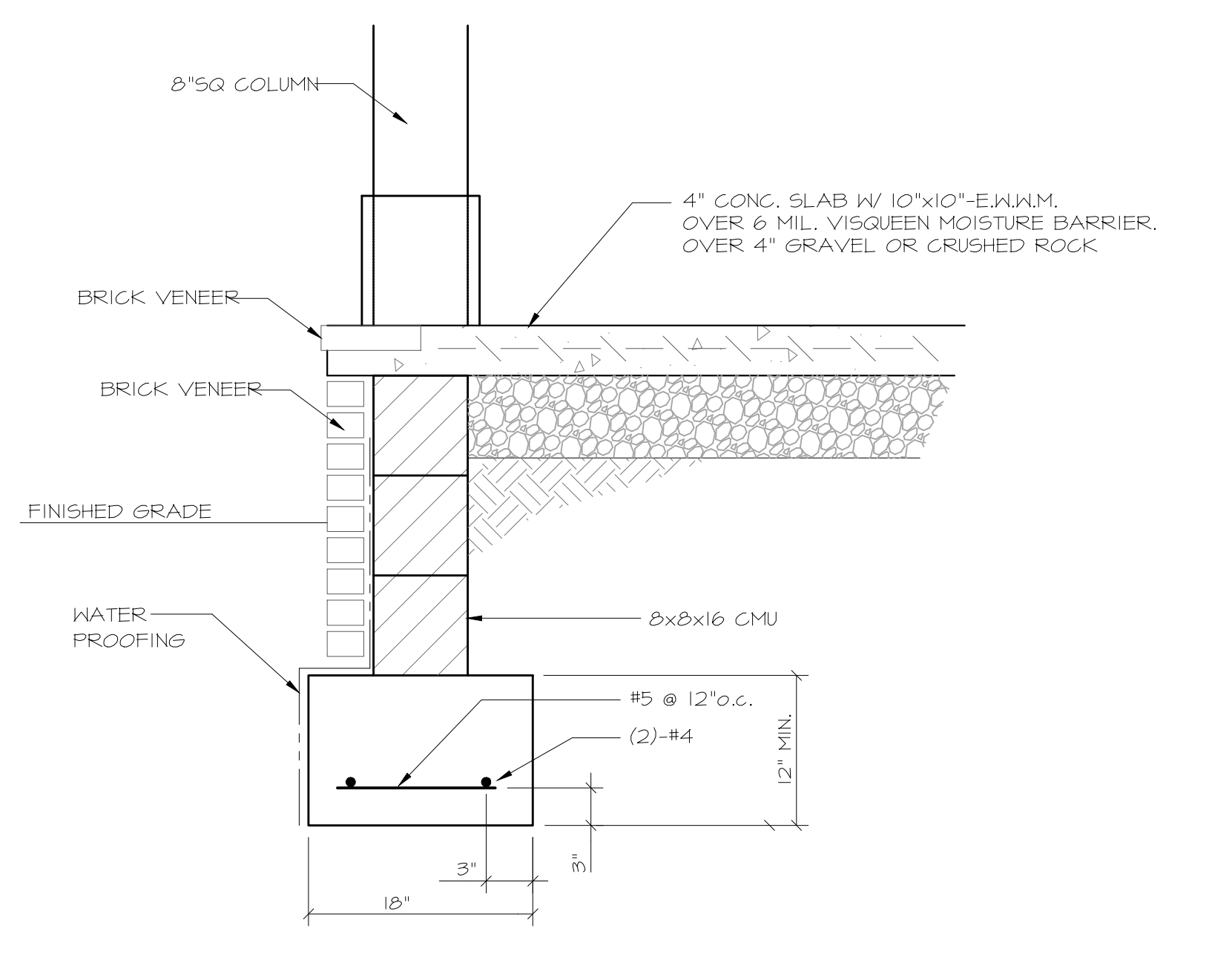
PERIMETER FOOTING HOUSE SCALE: N.T.S. 1



INTERIOR WALL FOOTING SCALE: N.T.S. 5



INTERIOR BRACED WALL SCALE: N.T.S. 7



CONCRETE PORCH SCALE: N.T.S. 4