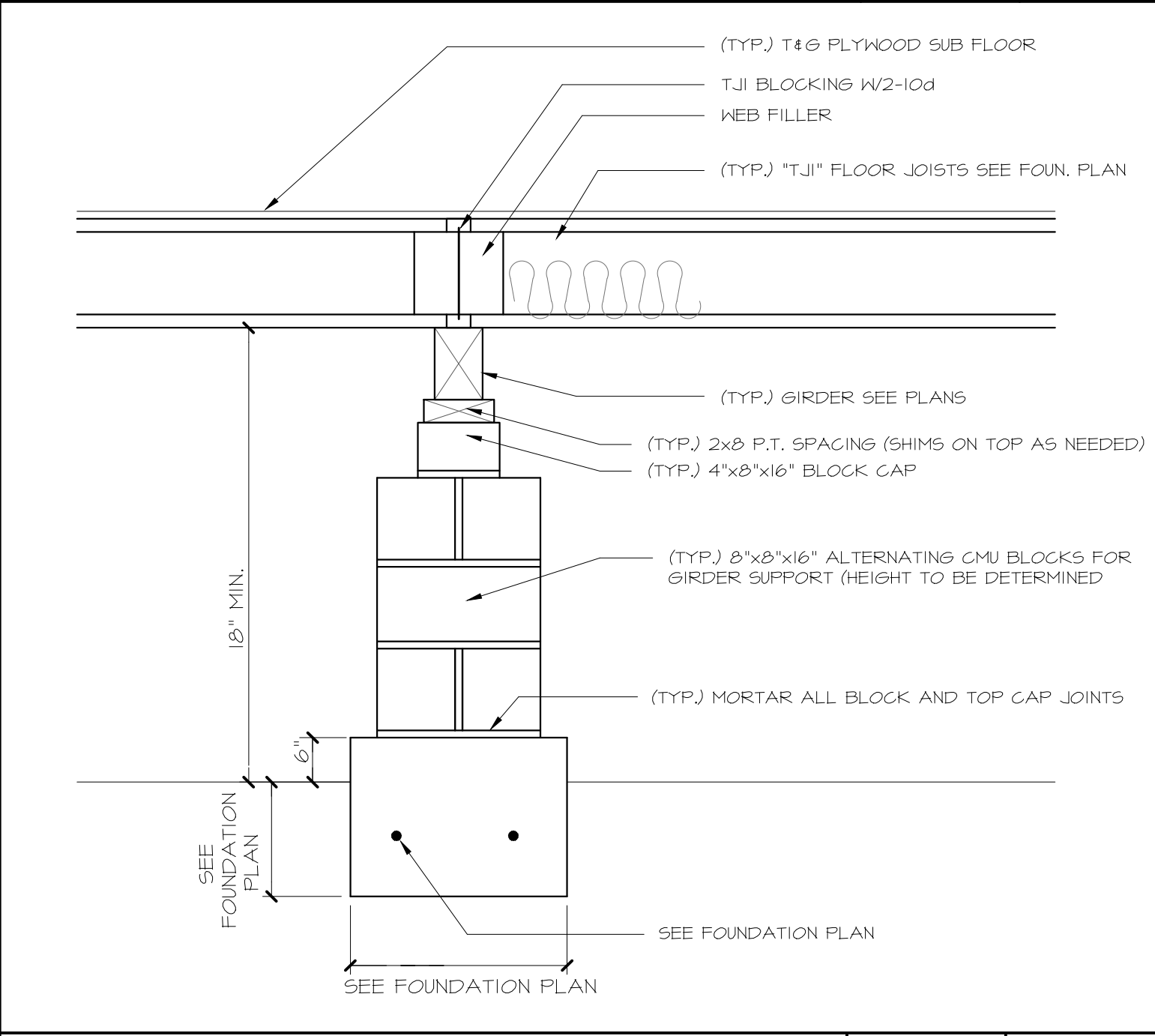
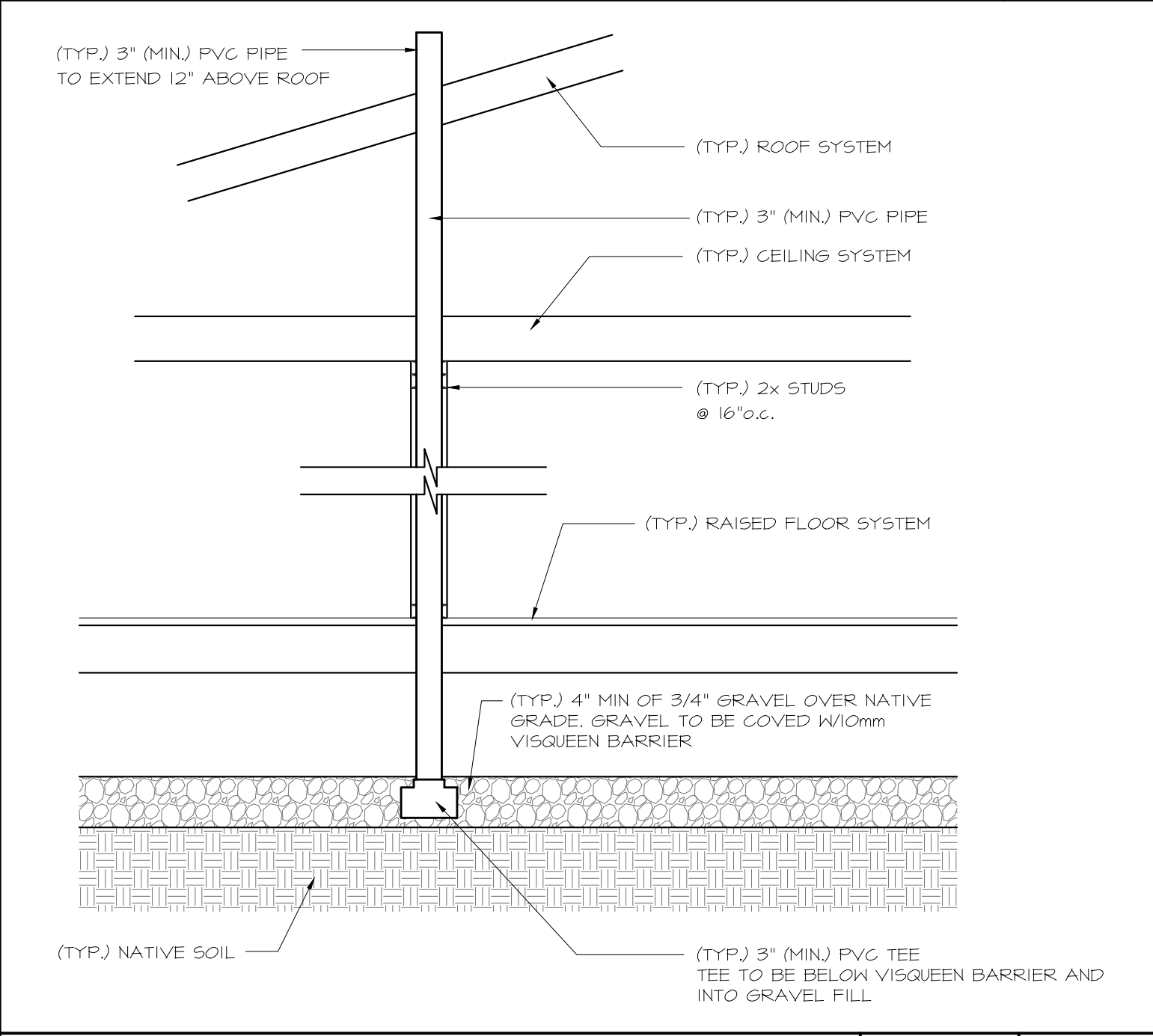


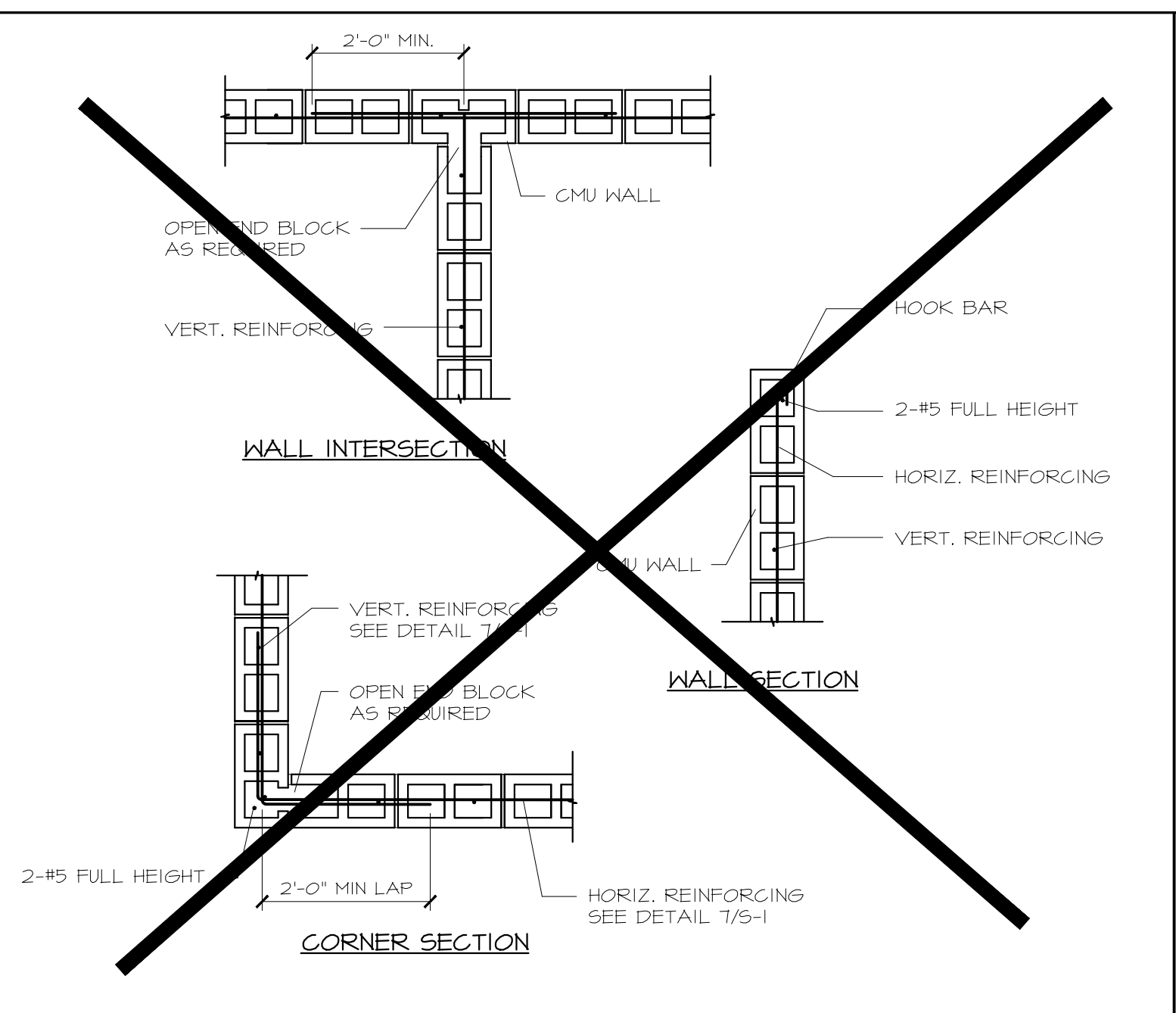
REBAR BENDS AND LAPS SCALE: N.T.S. 1



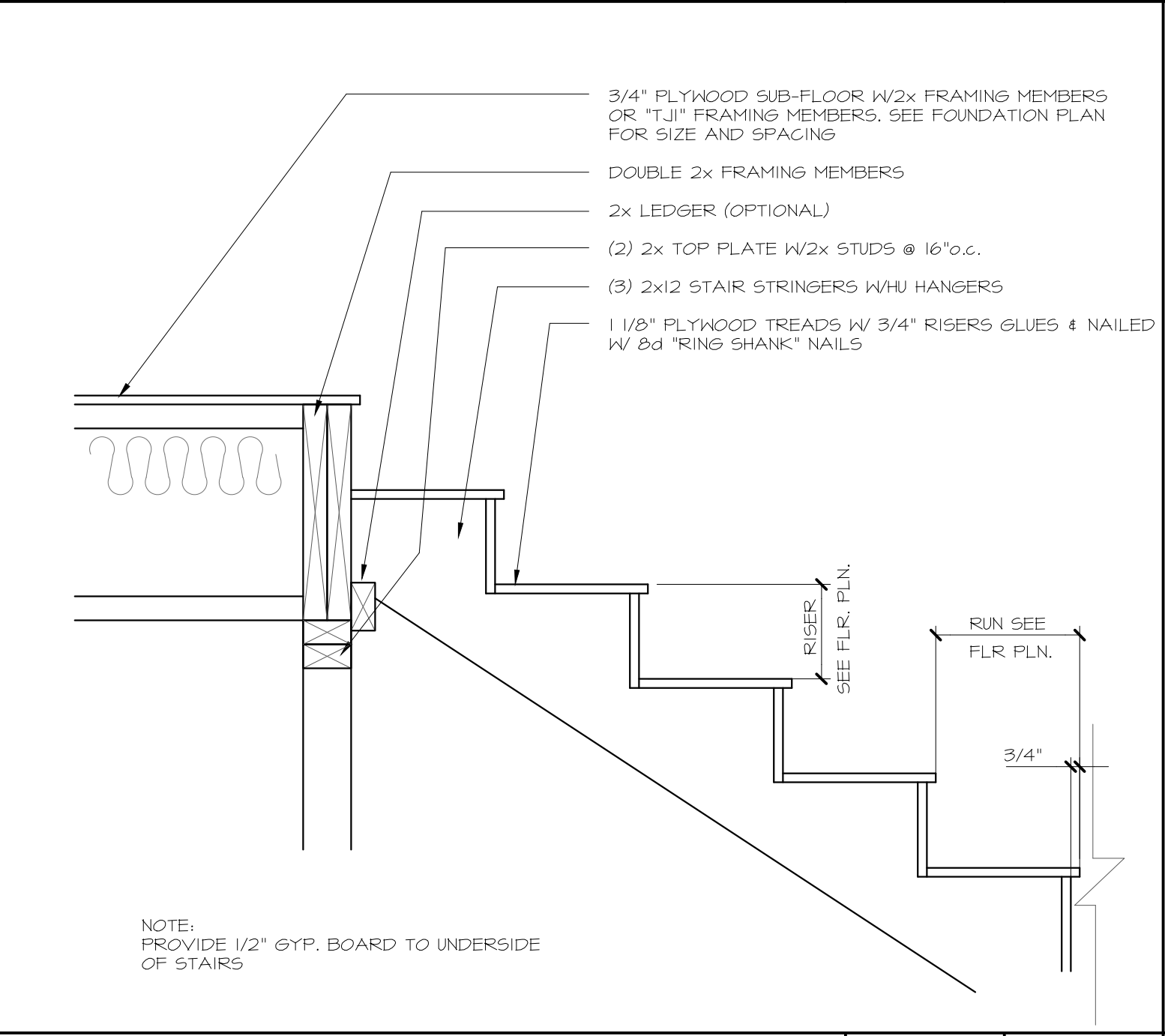
PIER FOOTING PAD SCALE: N.T.S. 5



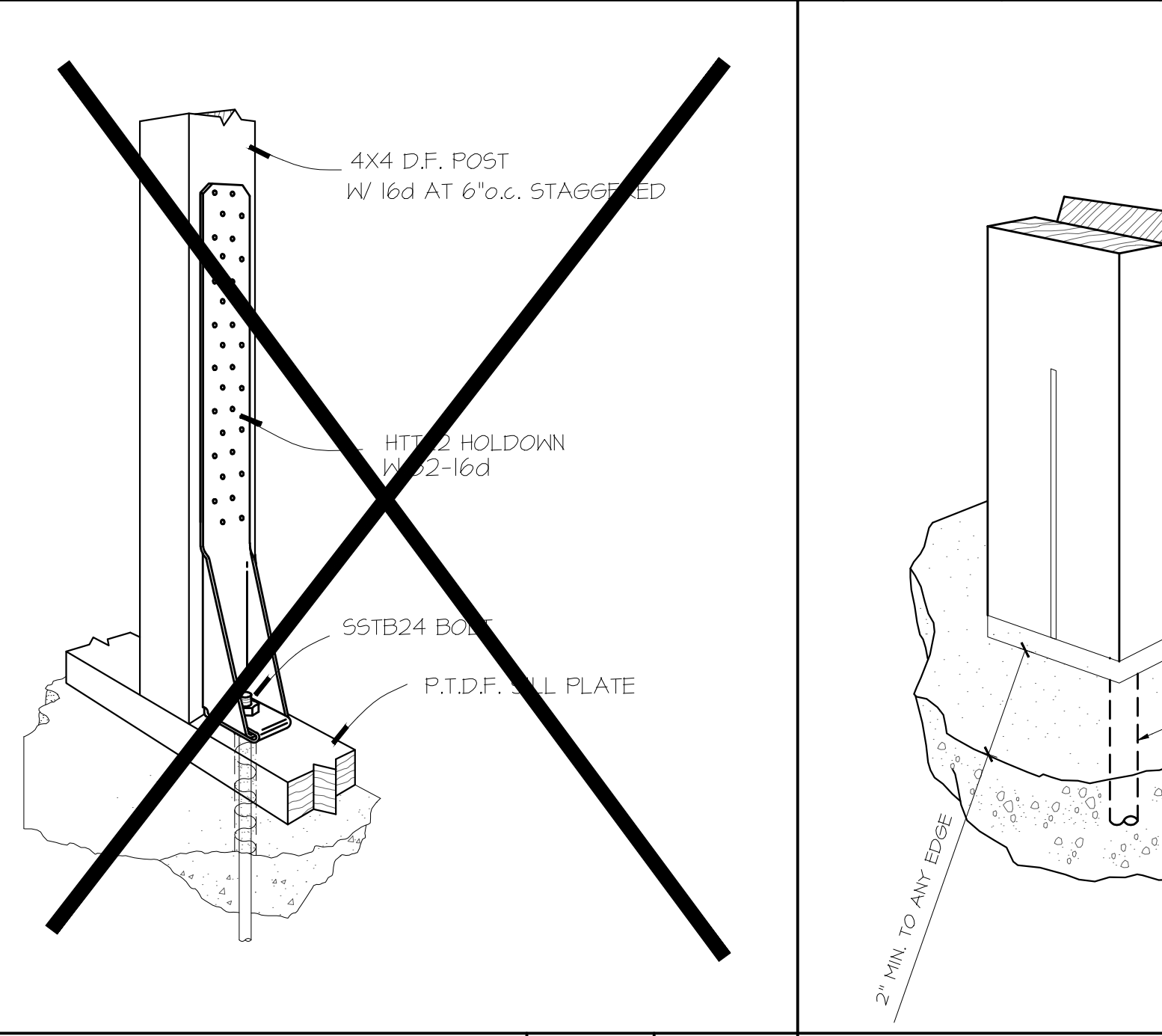
RADON VENTING SYSTEM SCALE: N.T.S. 9



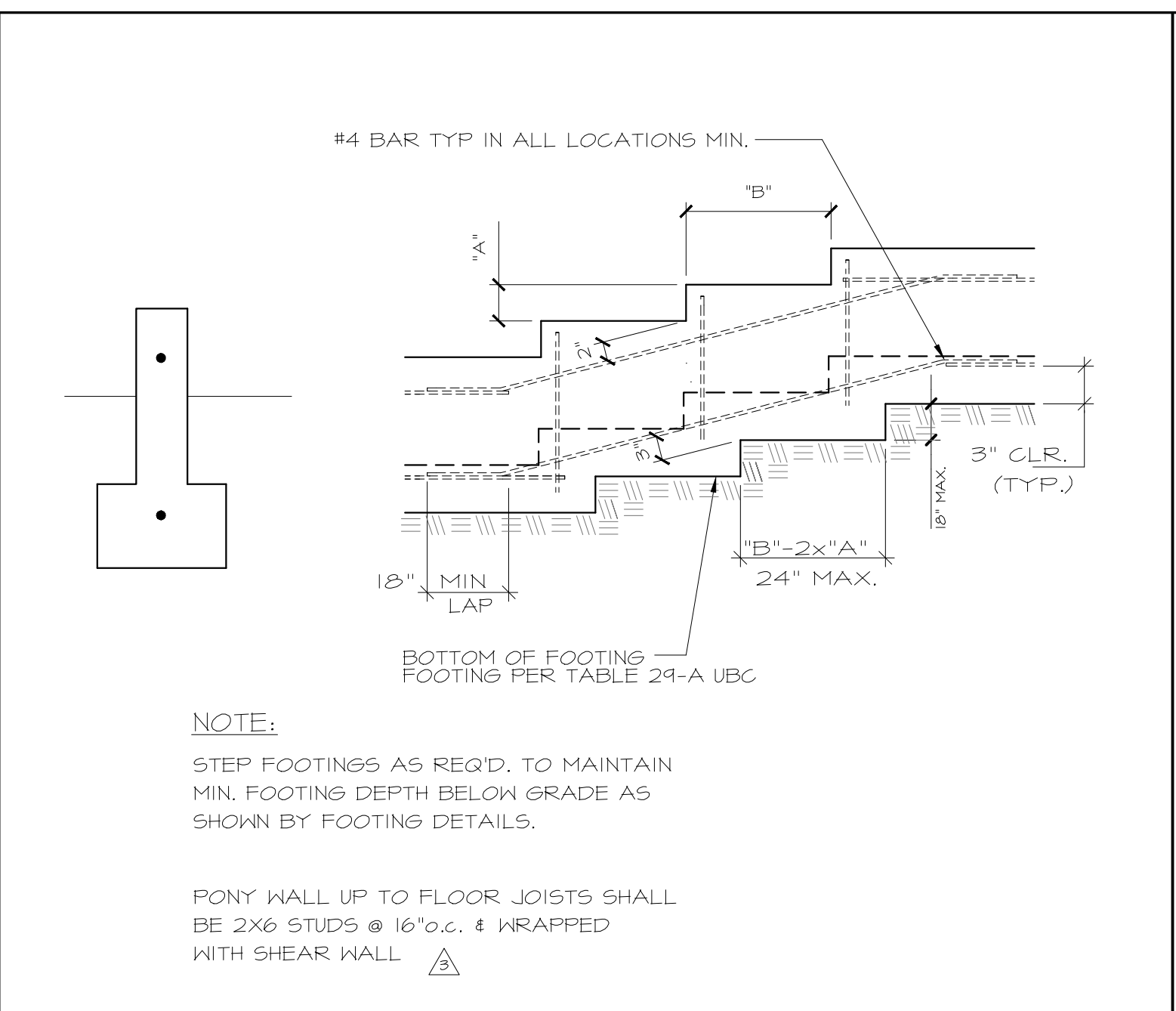
REIN. @ CORNERS, END, INTERSECTION SCALE: N.T.S. 2



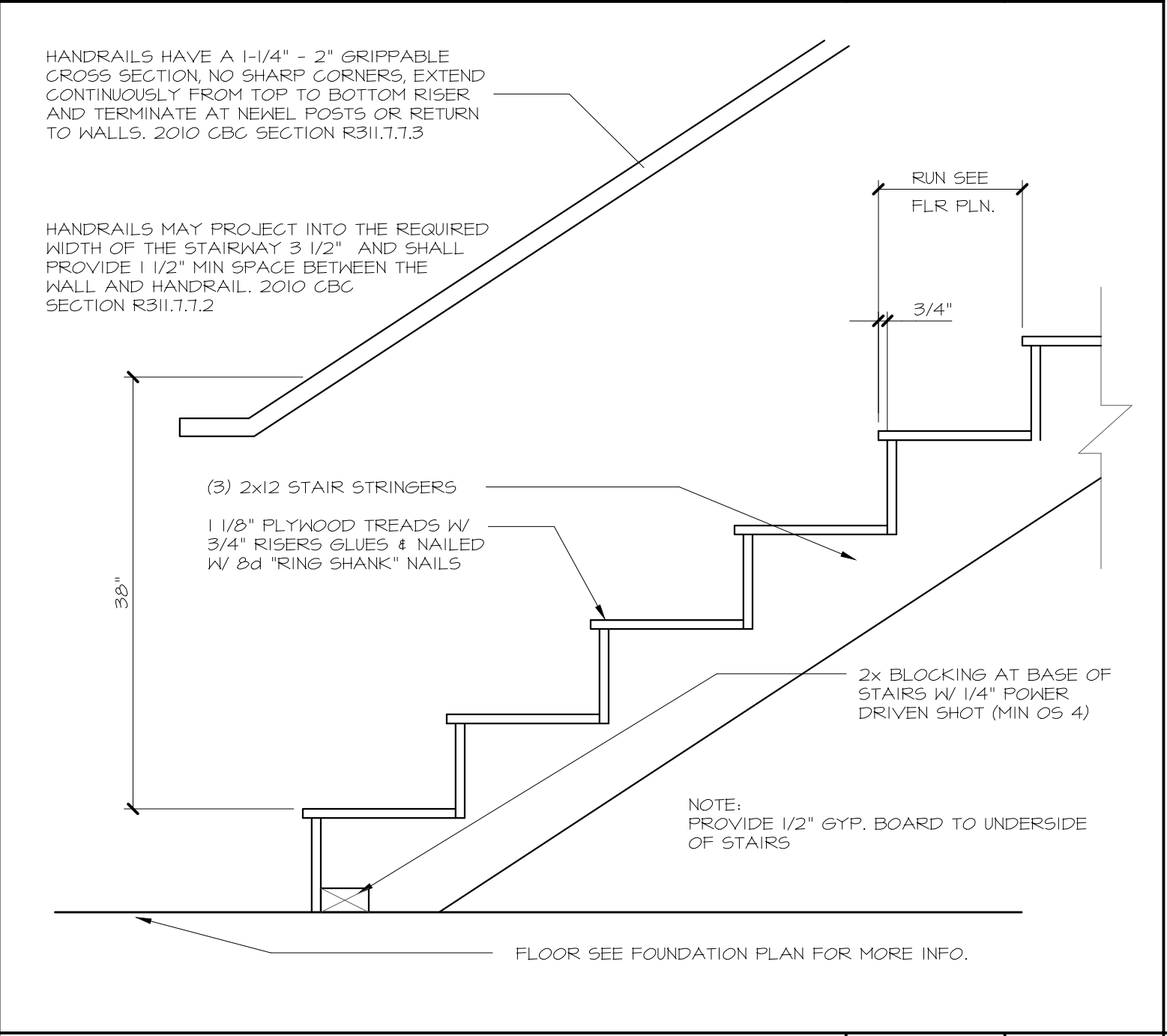
STAIR TOP SCALE: N.T.S. 6



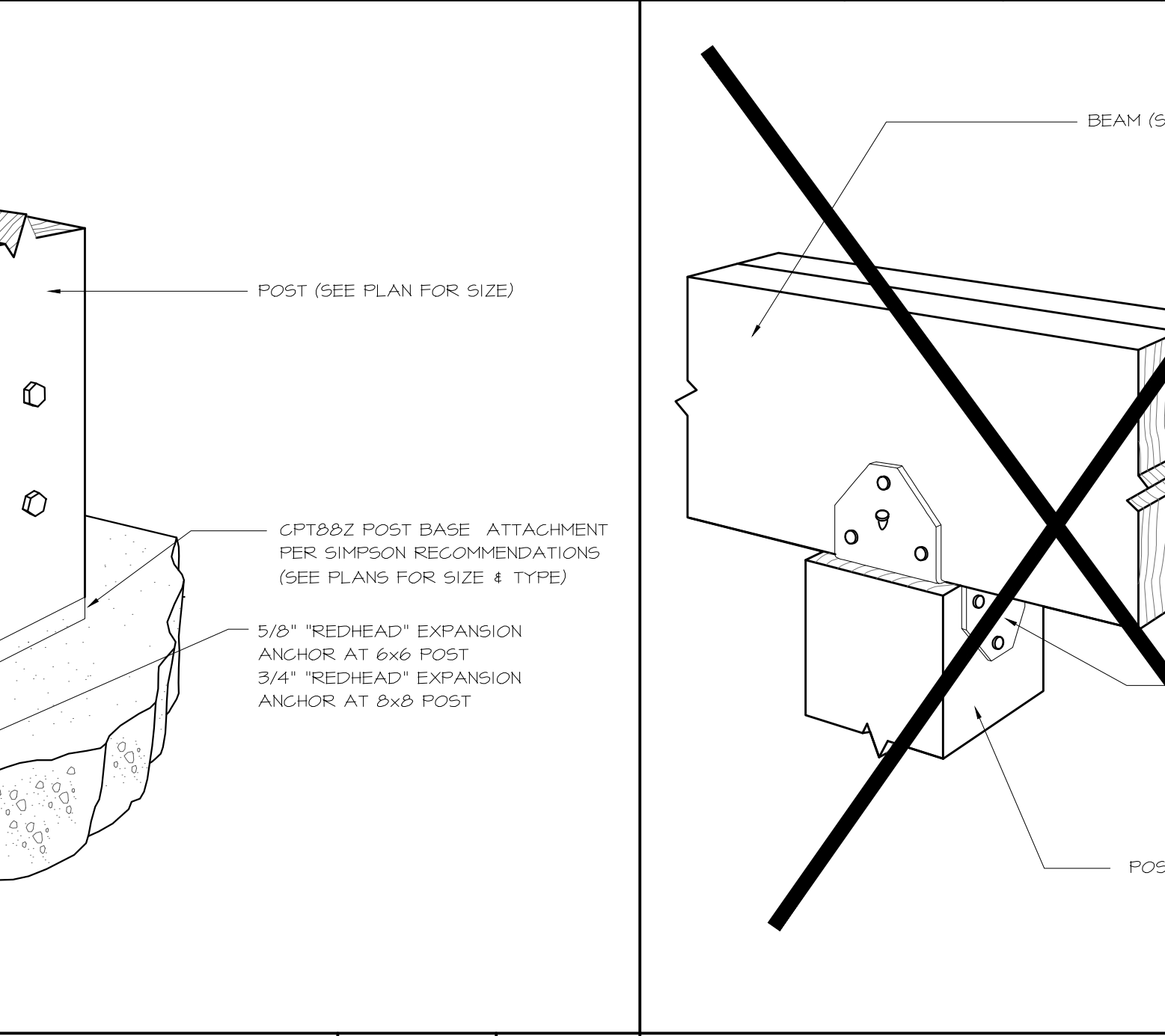
(TYP.) HOLDDOWN ANCHOR HTT22 SCALE: N.T.S. 10



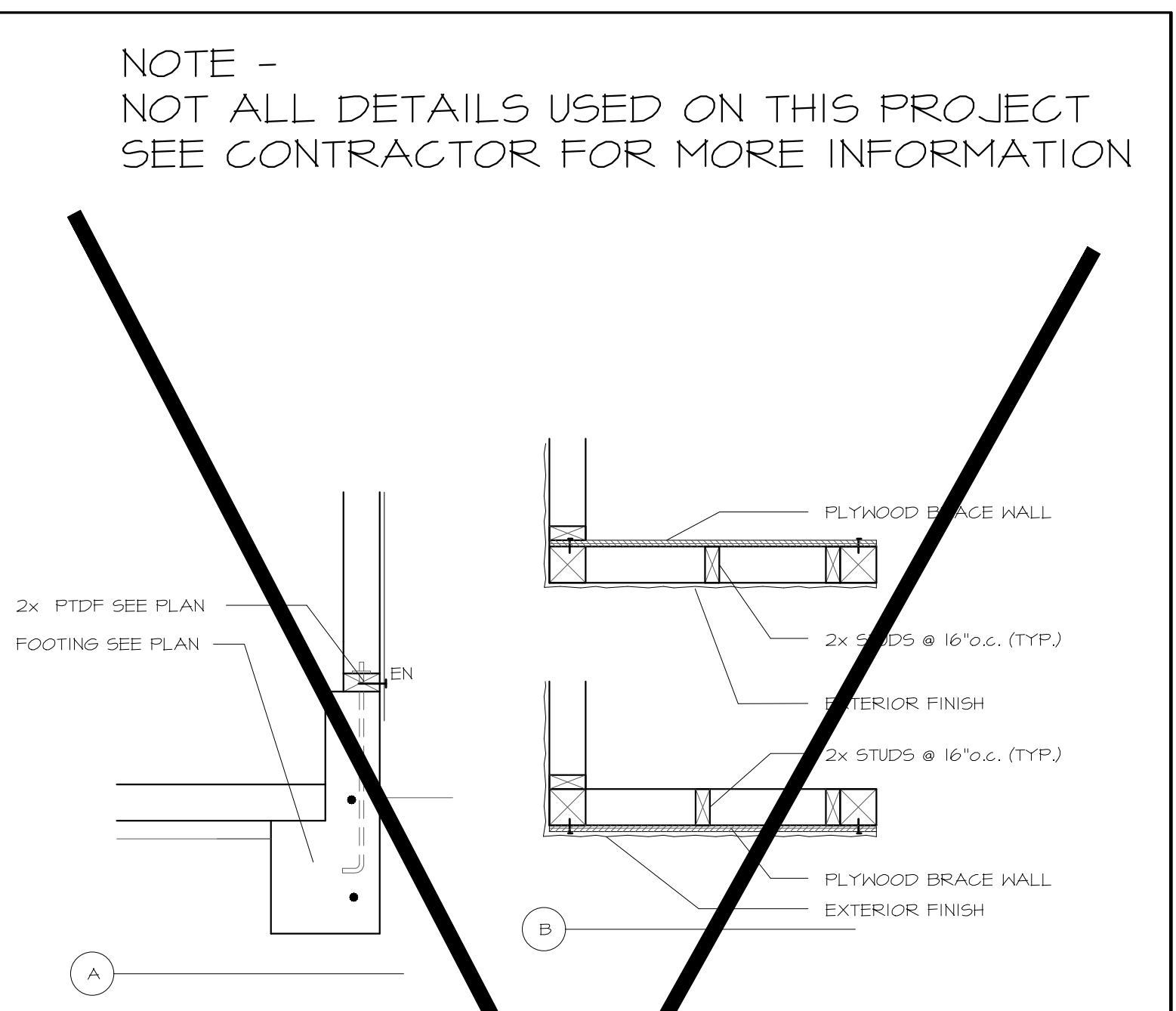
STEEPED FOOTING SCALE: N.T.S. 3



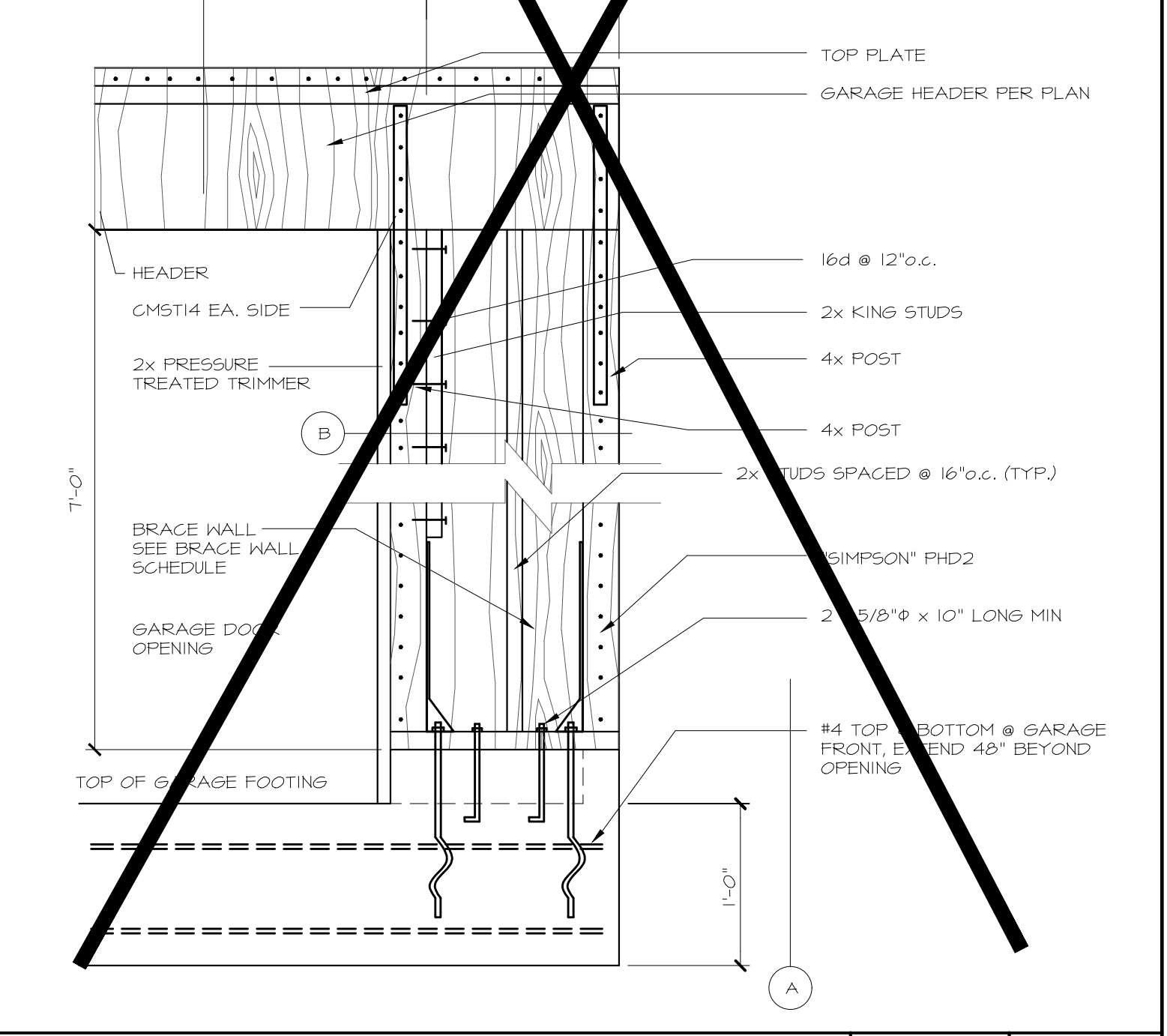
STAIR BASE SCALE: N.T.S. 7



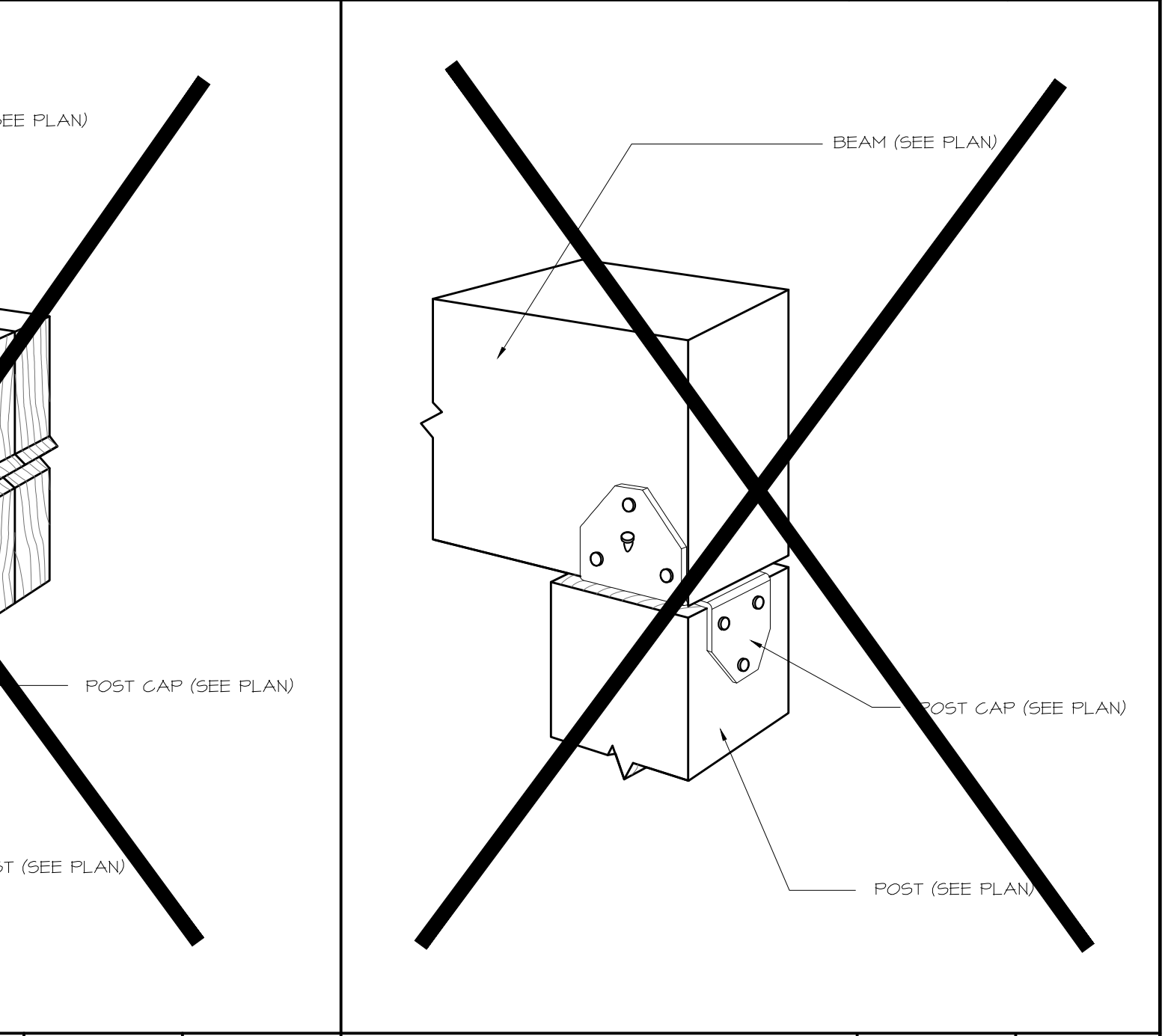
BEAM POST CONNECTION SCALE: N.T.S. 11



PORTAL FRAME SCALE: N.T.S. 8



BEAM POST CONNECTION SCALE: N.T.S. 12



BEAM POST CONNECTION SCALE: N.T.S. 13

NOTE - NOT ALL DETAILS USED ON THIS PROJECT SEE CONTRACTOR FOR MORE INFORMATION

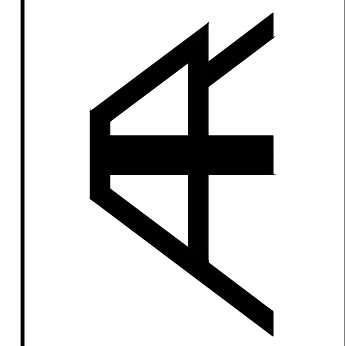
REVISIONS	BY
3/1/20	AH

HEN19036AD_2

HENDERSON RESIDENCE
3315 OLD PLANTATION WAY
BLOUNT COUNTY TN

CONSTRUCTION DETAILS

A&R
DESIGN & DRAFTING
SERVICE
320 GREENVIEW CIRCLE
LENOIR CITY TENNESSEE 37112
(605)-598-8212 RDJEITTE@GMAIL.COM



DATE	9/10/19
SCALE	N.T.S.
DRAWN	AH/RJ
JOB	HEN19036
SHEET	AD-2

AD-2
OF SHEETS