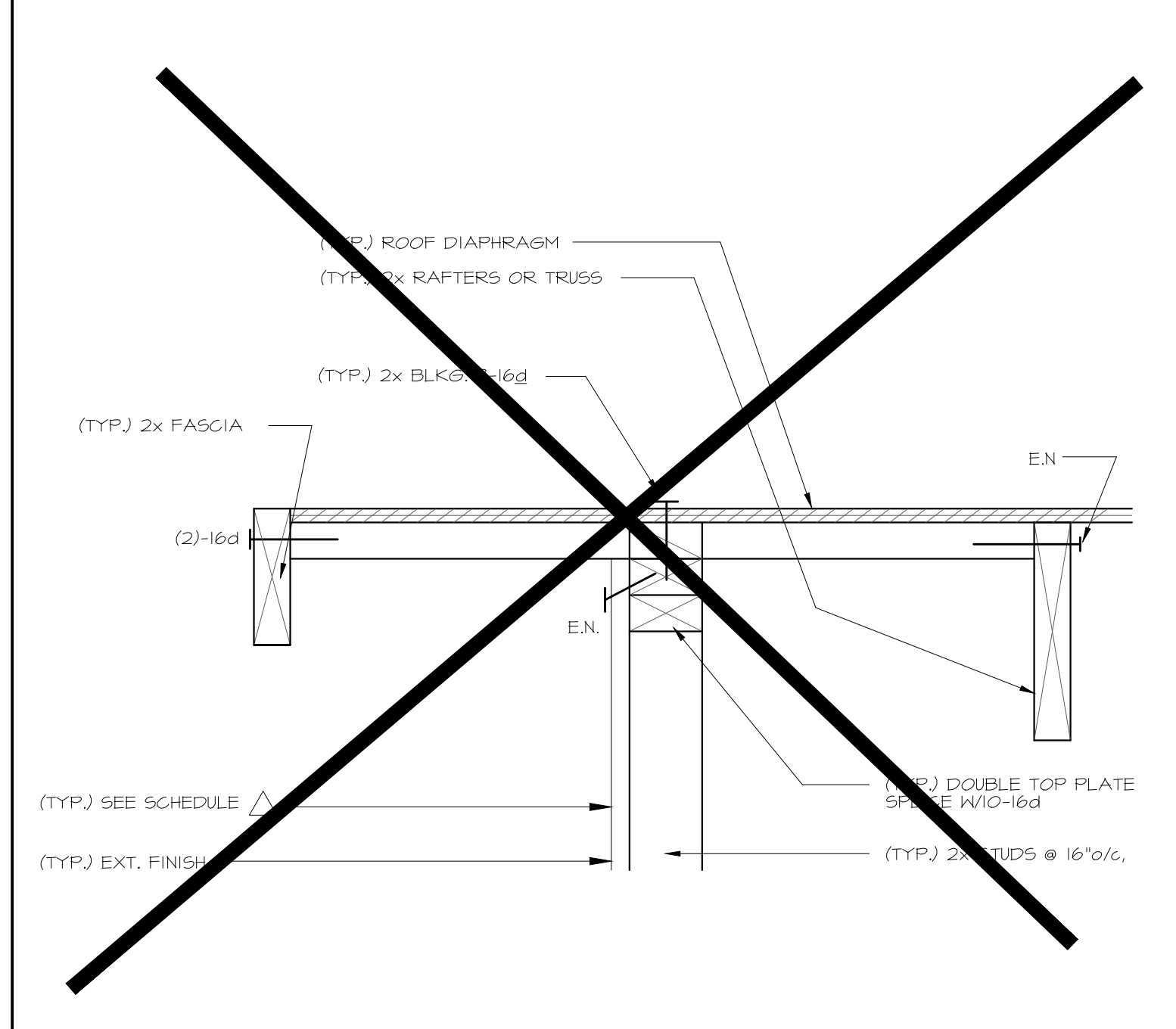
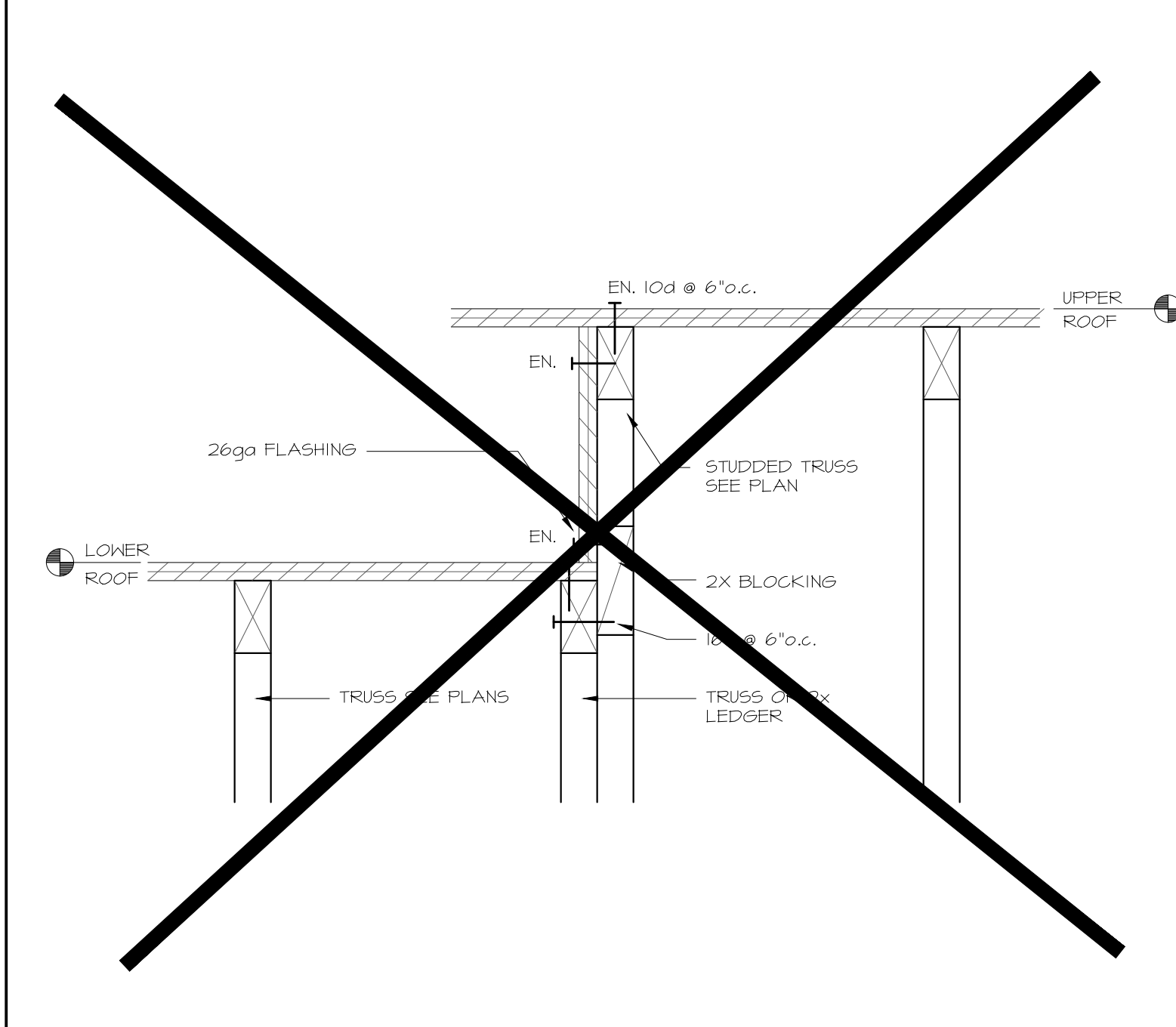
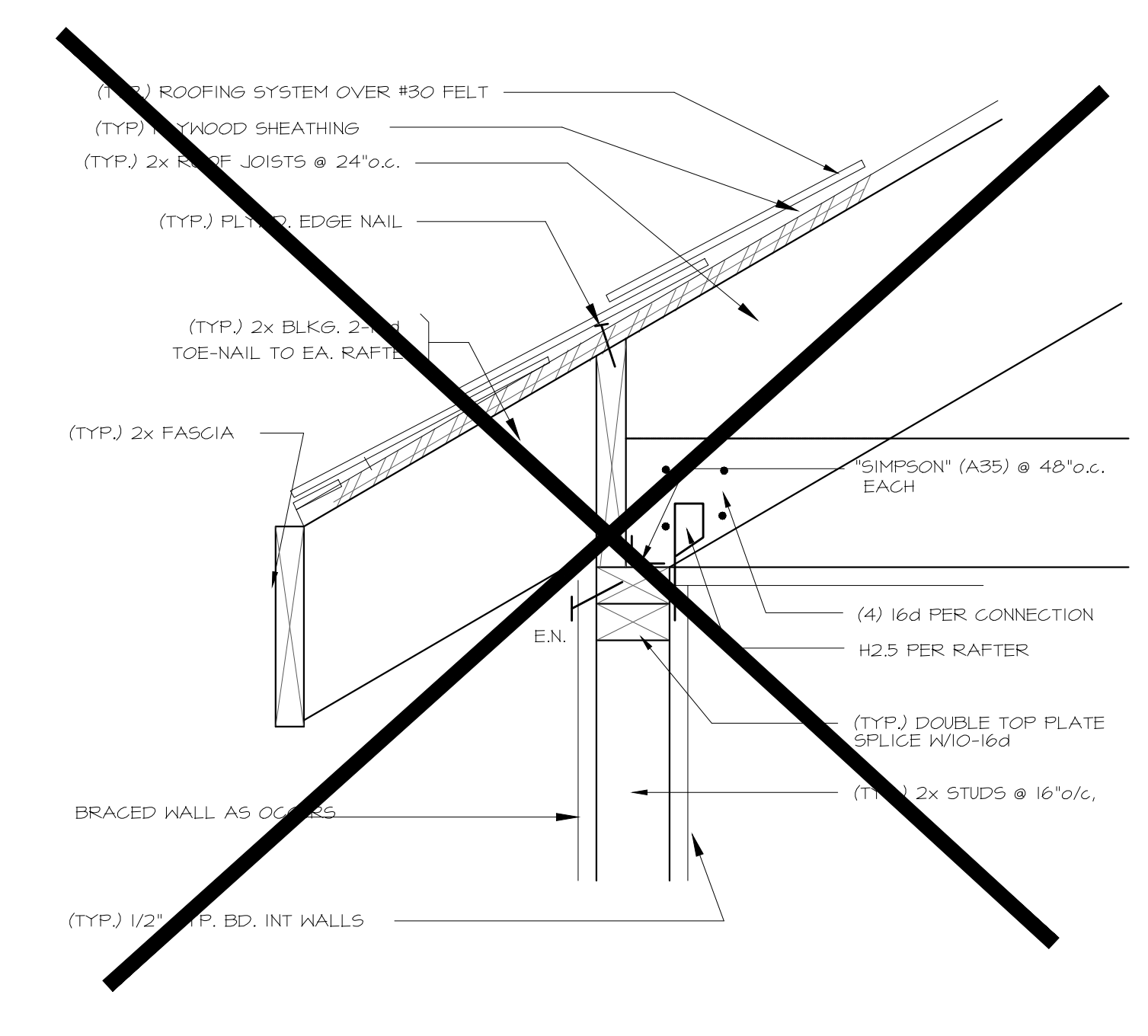
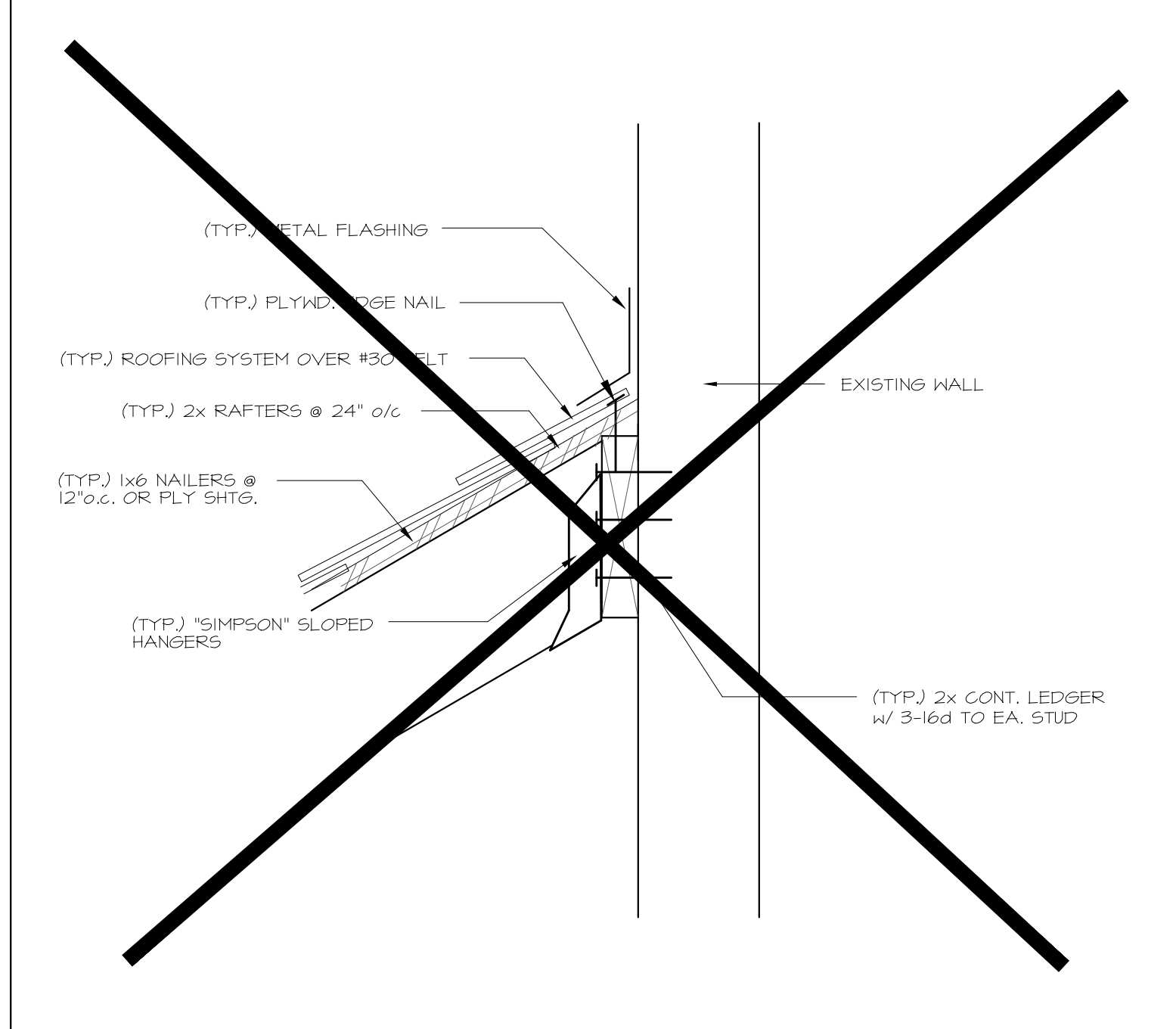


TRUSS TO BRACE WALL CONNECTION SCALE: N.T.S. 1

DIAGONAL BRACE AT GABLE-END SCALE: N.T.S. 2

WALL TRUSS CONNECTION SCALE: N.T.S. 3

MICRO-LAM CONNECTION SCALE: N.T.S. 4

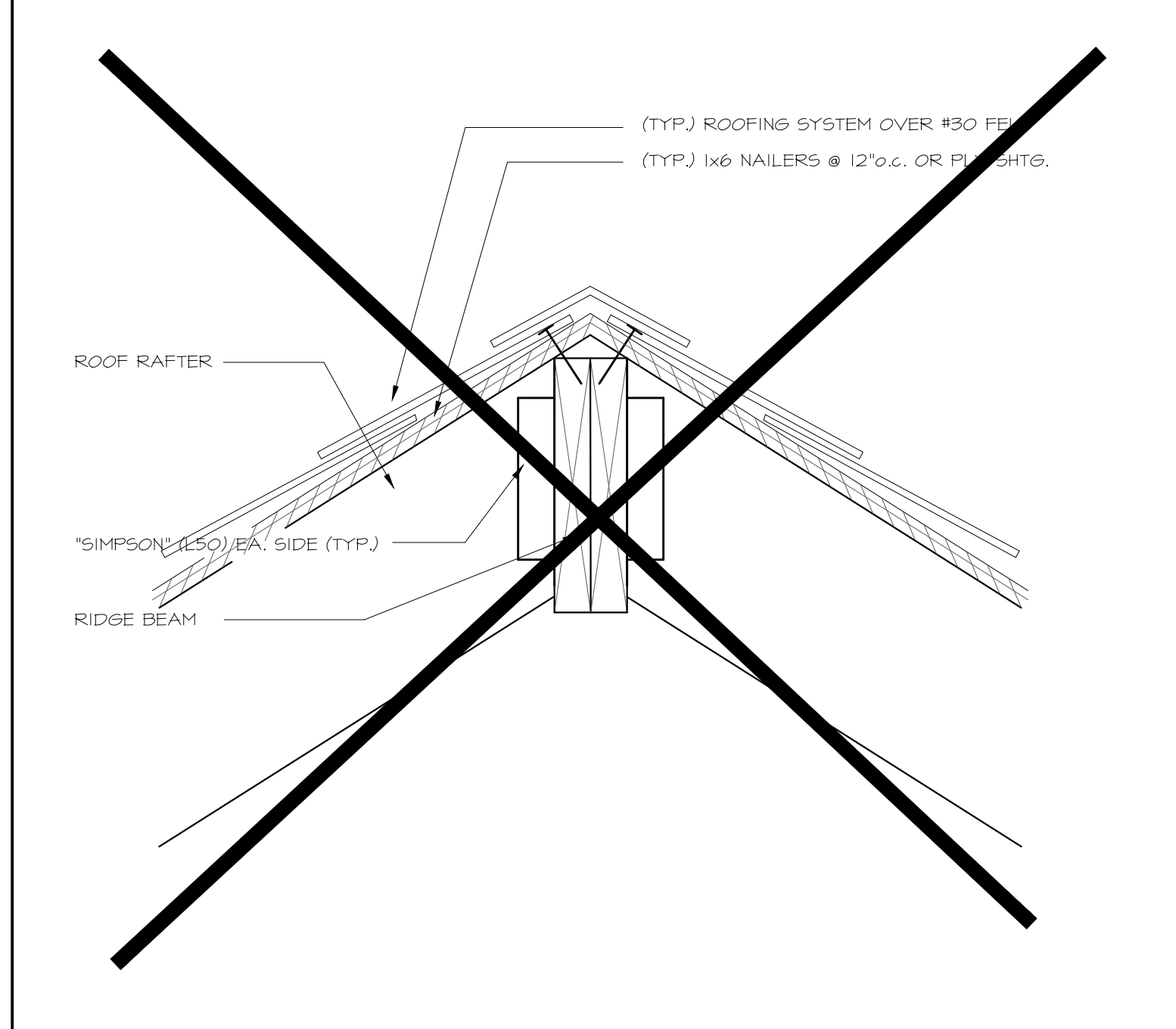
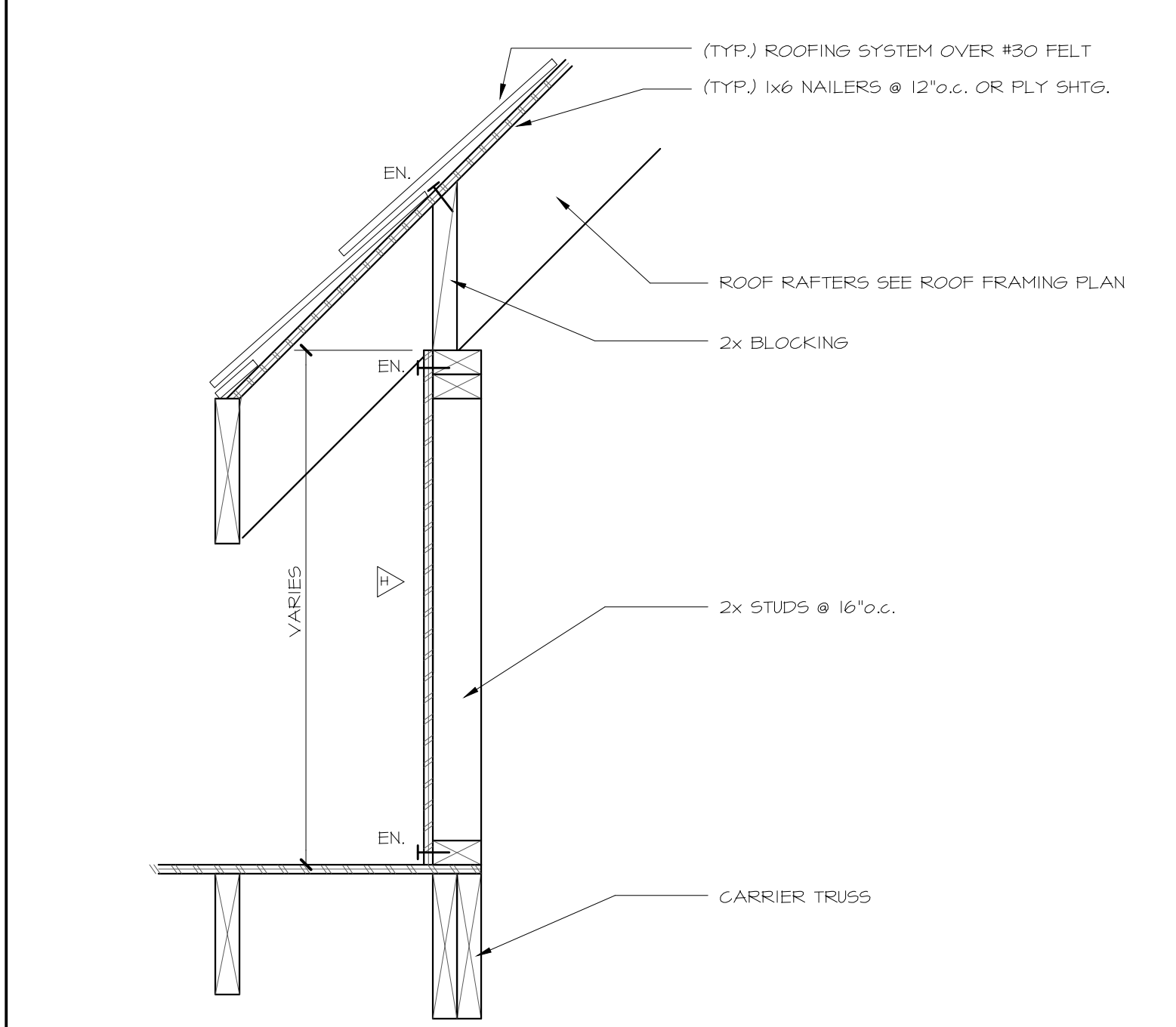
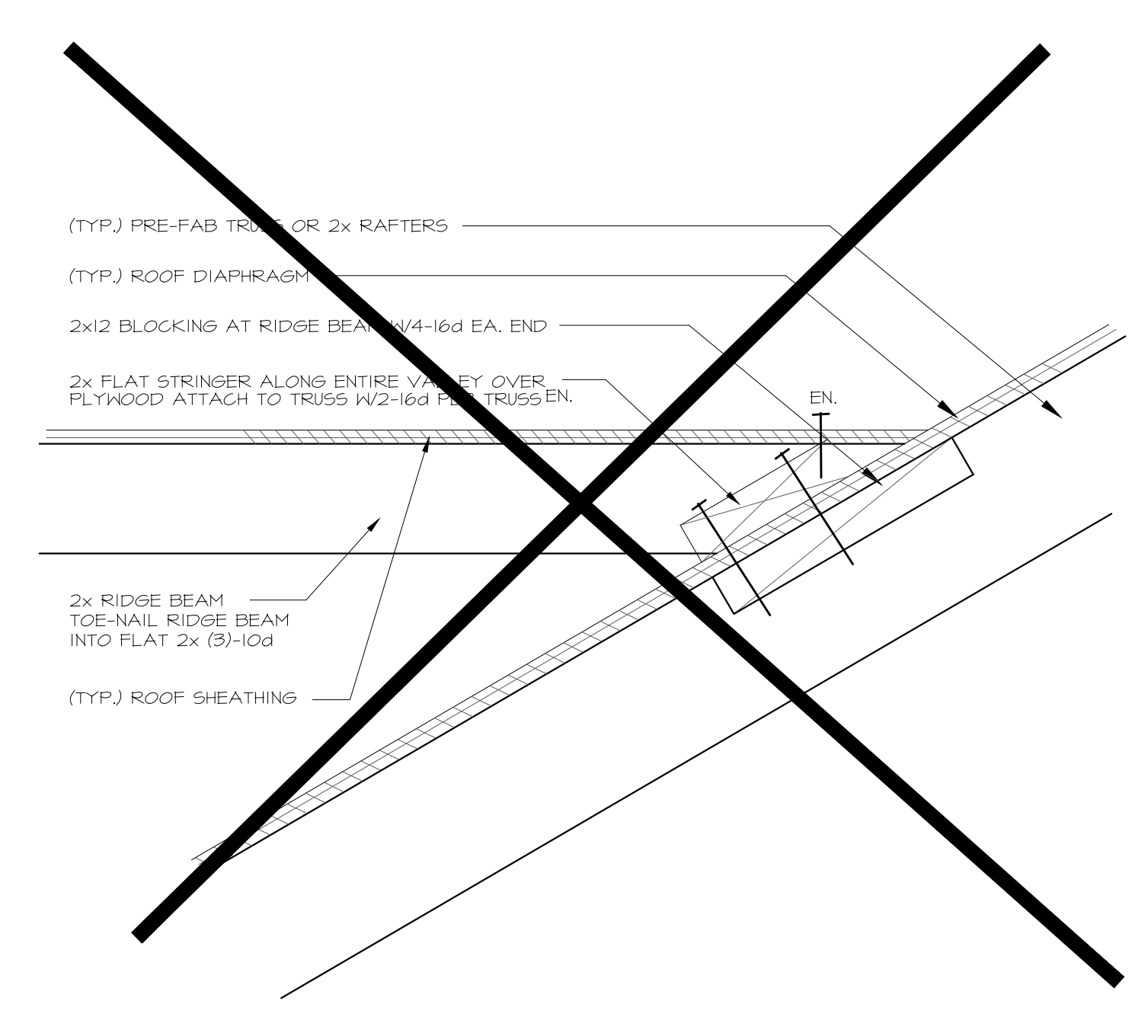
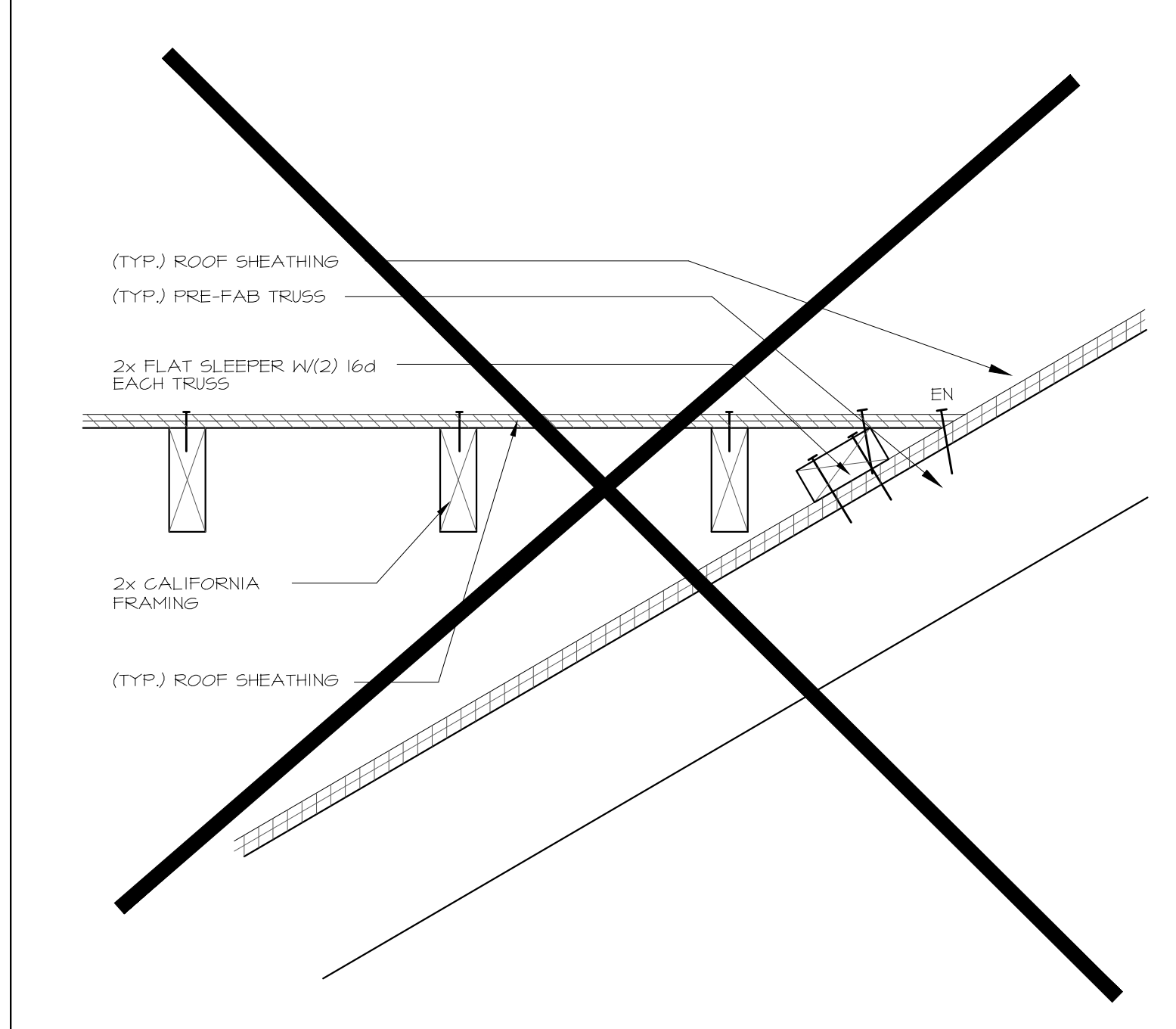


ROOF JOIST TO WALL CONNECTION SCALE: N.T.S. 5

ROOF JOIST WRAPPED TAILS SCALE: N.T.S. 6

TRUSS UPPER/LOWER SCALE: N.T.S. 7

RAKE END CONNECTION SCALE: N.T.S. 8



CALIFORNIA FRAMING SCALE: N.T.S. 9

CALIFORNIA RIDGE BEAM TO TRUSS SCALE: N.T.S. 10

DORMER WALL TO ROOF BEAM SCALE: N.T.S. 11

RIDGE BEAM TO RAFTER CONNECTION SCALE: N.T.S. 12

REVISIONS	BY
3/1/20	AH
HEN19036AD_2	
PROJECT	
HENDERSON RESIDENCE 3315 OLD PLANTATION WAY BLOUNT COUNTY TN	
CONSTRUCTION DETAILS	
A&R DESIGN & DRAFTING SERVICE 320 GREENVIEW CIRCLE LENOIR CITY TENNESSEE 37112 (865)-598-8212 RIDJETTE@AVAL.COM	
DATE	9/10/19
SCALE	N.T.S.
DRAWN	AH/RJ
JOB	HEN19036
SHEET	AD-3
OF SHEETS	